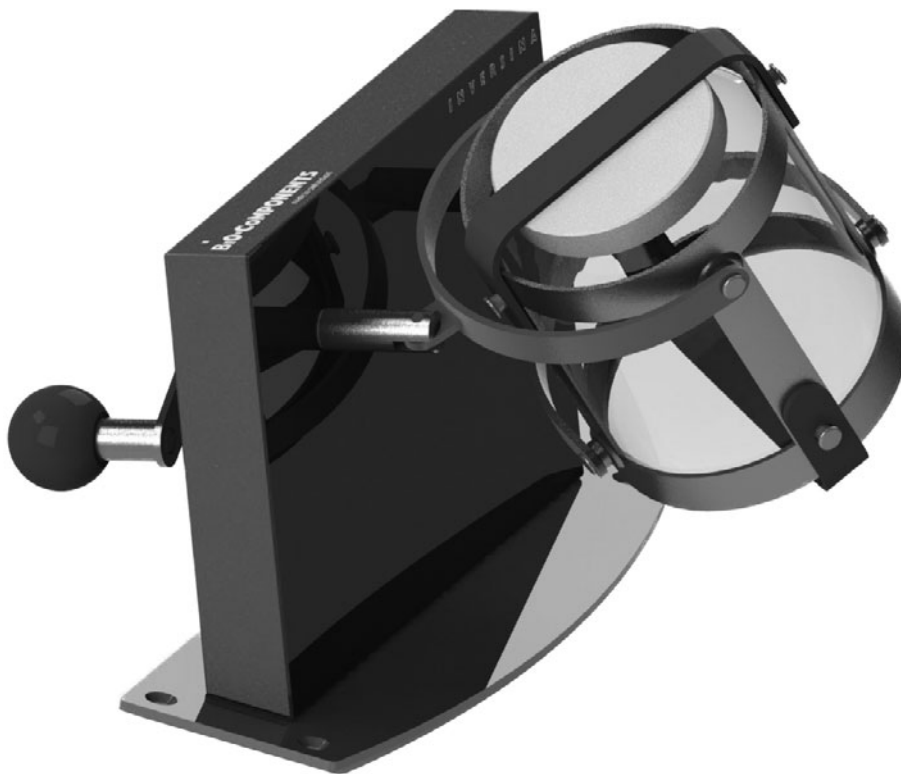


Data sheet

Inversina

Mixing of substances

(Subject to technical modification)



Contents

Technical data	2
Dimensions	2
Mounting	3
Loading mixing cage	3
Details for ordering	4

Data sheet

Inversina

0540-07 TB/Reg. 11

2/4

Technical data

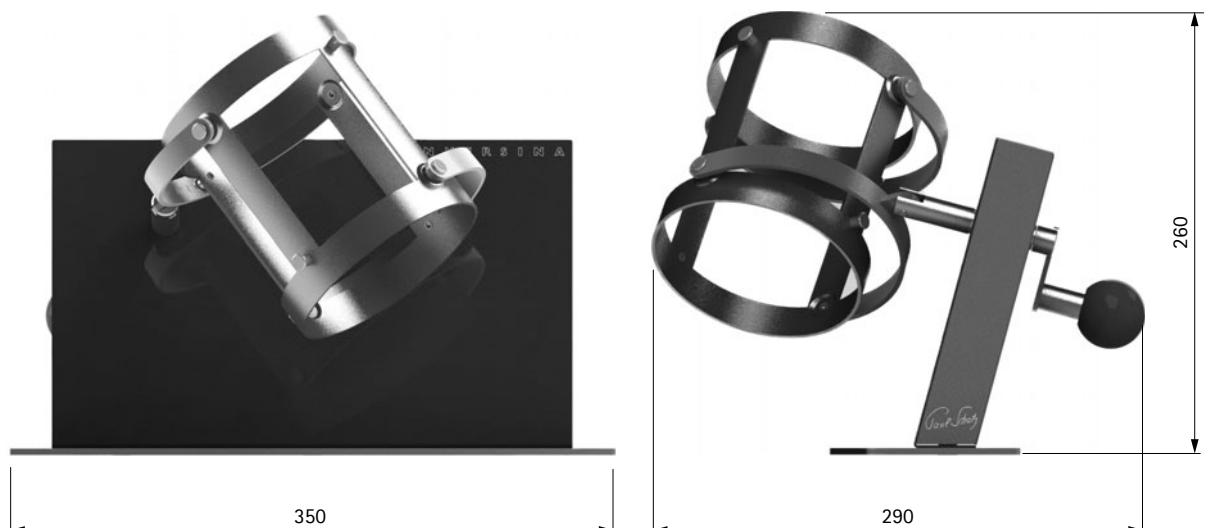
(Subject to technical modification)

Length/Width/Height	350/290/260 mm	13.8 / 11.4 / 10.2 inch
Total weight	~ 8.7 kg	~ 19.2 lb
Empty weight	~ 4.7 kg	~ 10.4 lb
Max. filling weight	~ 4.0 kg	~ 8.8 lb
Max. filling degree	~ 75 %	~ 75 %

Mixing vessel (PET)

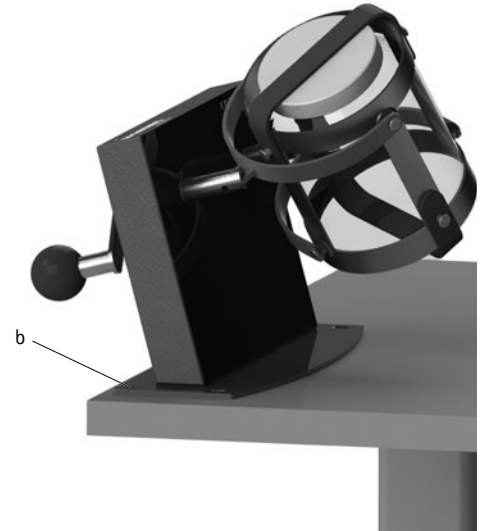
1.5 L	ø120 mm x H 165 mm	ø 4.72 inch x H 6.5 inch
2 L	ø120 mm x H 210 mm	ø 4.72 inch x H 8.26 inch

Dimensions



Mounting

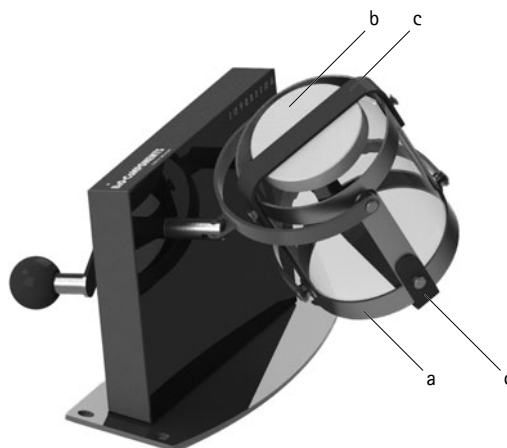
- a) Screw clamp
- b) Screws



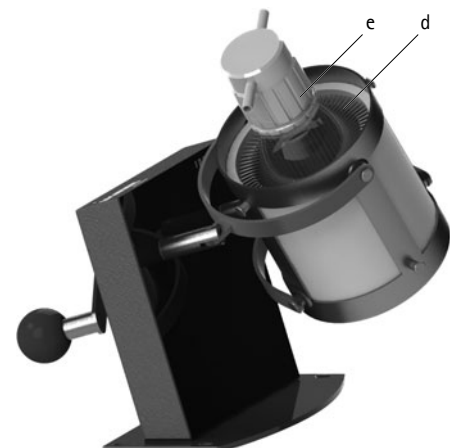
Loading mixing cage

Loading with band clamp

- a) Mixer cage
- b) Mixing vessel
- c) Band clamp
- d) Brush insert
- e) Laboratory flask



Loading with brush insert



Data sheet

Inversina

0540-07 TB/Reg. 11

4/4

Details for ordering	Part no.
Inversina (without mixing vessel)*	
Version 1.5L	11438.1
Version 2L	11438.2

* including screw clamps for table mounting.
Mounting screws on request.

Options	
Mixing vessel (PET)	
1.5L	54180
2L	54181
Brush insert	50995

Spare parts	
Band clamp	
Version 1.5L	47888.1
Version 2L	47888.2